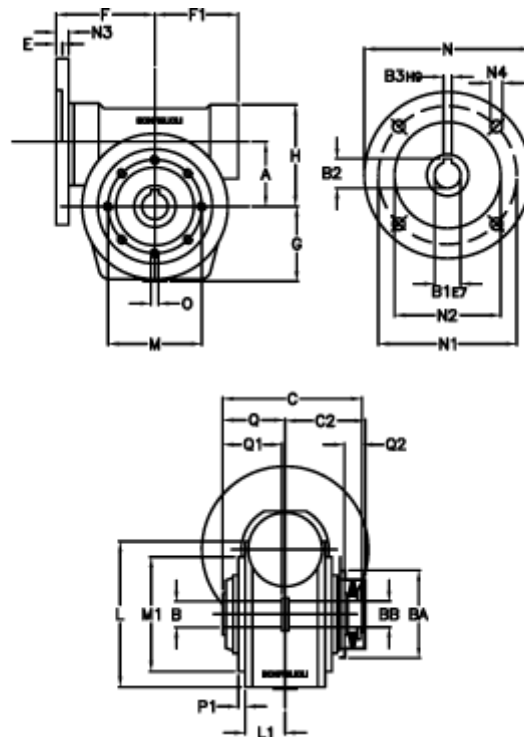


Article number: 390204401072816

Description: Worm Gear with Torque Limiter
VF 44-L1-P-10-P71B14

Measures



| | | | |
|------------|-------------------------------|-----------|----------|
| a = 44.60 | C2 = 48 | L1 = 35.0 | O = M6x8 |
| B = 18 | Description = VF 44P-xx-71B14 | m = 65 | P1 = 2.0 |
| B1 E7 = 14 | E = 2.0 | M1 = 50 | Q = 32.0 |
| B2 = 16.3 | F = 65 | N = 105 | Q1 = 32 |
| B3 H9 = 5 | F1 = 54 | N1 = 85 | Q2 = 12 |
| BA = 40 | g = 51 | N2 = 70 | |
| BB H7 = 11 | H = 71.0 | N3 = 10.0 | |
| C = 79 | L = 80.0 | N4 = 7 | |